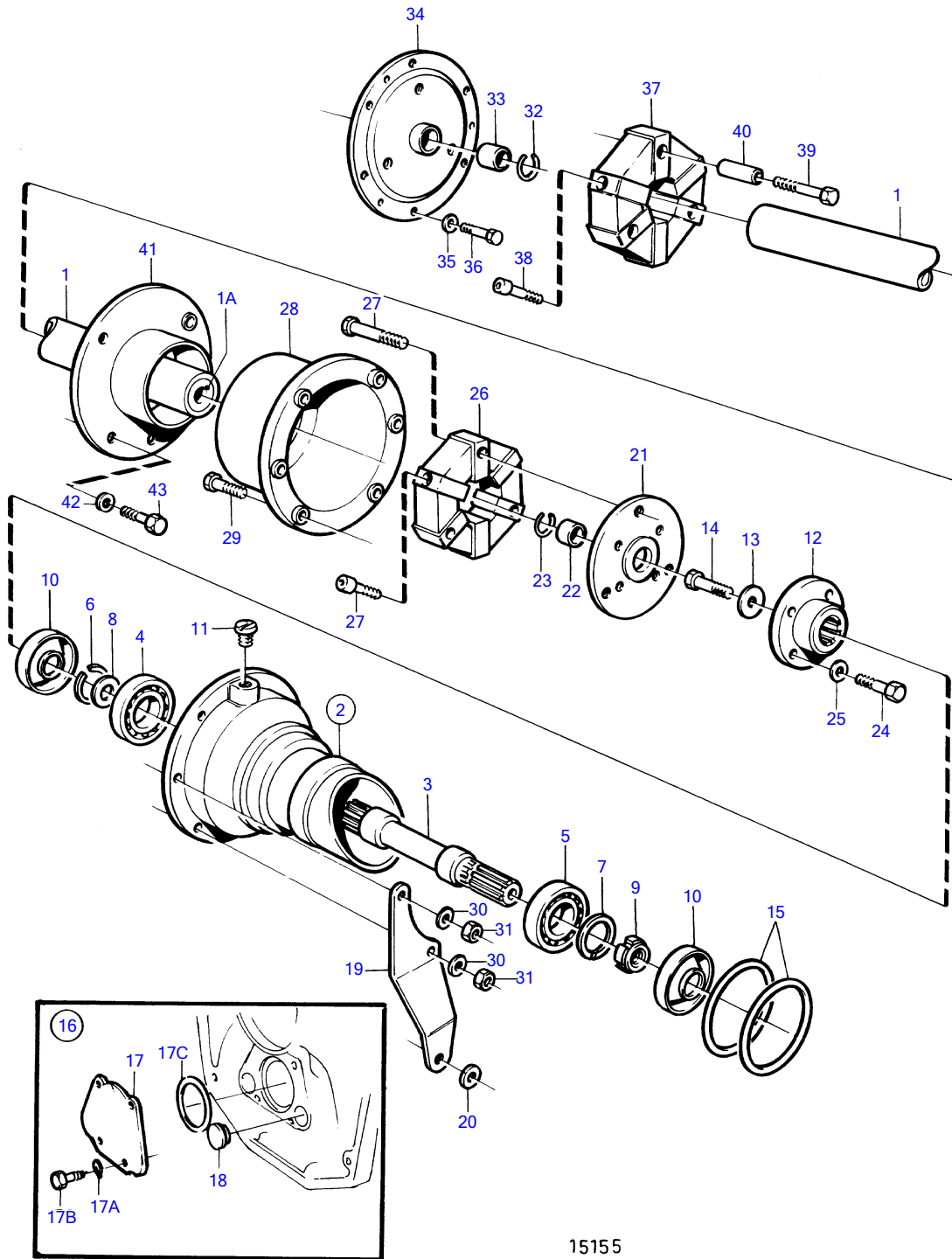


AD41D, D41D, TAM41D, TMD41D



15155

AD41D, D41D, TAMD41D, TMD41D

REF	PART NO.	QTY	DESCRIPTION	NOTES
1	(853944)	1	Stub axle	L=1,1m, Obsolete part
	853850	1	Stub axle	L=1,65m
1A	853830	2	• Insert	
2	839482	1	Intermediate housing	
3	853841	1	Spindle	
4	183647	1	Roller bearing	
5	11041	1	Roller bearing	
6	914465	1	Snap ring	
7	914533	1	Snap ring	
8	968950	1	Support washer	
9	969072	1	Round nut	
10	958860	2	Sealing ring	
11	804262	1	Plug	
12	838422	1	Clutch flange	
13	947541	1	Washer	
14	973083	1	Flange screw	
15	858464	2	Rubber ring	
16	(872238)	1	Seal flange kit	Obsolete part
17		1	• Seal flange	
17A	941908	4	• Spring washer	
17B	970945	4	• Hexagon screw	
17C	925256	1	• O-ring	
18	814473	2	• Closure	
19	838935	1	Bracket	P
	838936	1	Bracket	S.B
20	955897	22	Washer	
21	853878	1	Attaching plate	
22	853829	1	Bushing	
23	914470	1	Snap ring	
24	945996	4	Hexagon screw	
25	941909	4	Spring washer	
26	853978	1	Clutch	
27	853951	6	• Screw	
28	853838	1	Protecting screen	
29	940160	6	Hexagon screw	
30	941909	6	Spring washer	
31	940157	6	Hexagon nut	
32	914470	1	Snap ring	
33	853829	1	Bushing	
34	853876	1	Attaching plate	
35	941907	6	Spring washer	Early type
36	955297	6	Hexagon screw	Early type
	945444	6	Flange screw	Late type
37	853977	1	Clutch	(853831)
38	853951	3	Screw	
39	853952	3	Screw	
40	853834	1	Spacer sleeve	
41	853874	1	Protecting screen	
42	941908	4	Spring washer	Early type
43	970947	4	Hexagon screw	Early type
	973083	4	Flange screw	Late type

7746620-44-604

15155

Upd:2012-01-30

AD41D, D41D, TAMD41D, TMD41D, DP-D1, DP-E, DP-S, DPX, SP-C1, HS1A